



Avio Aero 



**FROM 1908**  
**INNOVATION**  
**AND EXPERTISE**

**AT THE SERVICE OF THE AVIATION INDUSTRY**

**Avio Aero, part of GE Aerospace** – is the leading company in the aeronautic business sector for the design, manufacturing and maintenance of components and systems for civil and military aero engines.

Over the years, Avio Aero has developed a technological and manufacturing leadership that is acknowledged worldwide, participating also as engine systems integrator in the most important international programmes.

With more than 5,200 employees, Avio Aero is present in the entire life cycle of the product, from the design and planning phase to that of production and services, always at the cutting edge of technology thanks to substantial investments in R&D and a solid collaboration network with the most prestigious Italian and international universities and research centres.

Today, our challenge is to develop new technologies and architectures that can reduce the environmental impact from the engine-aircraft system, while increasing its performance.

# A MAJOR EUROPEAN ENGINE PLAYER



31% of employees under 36



55% operators



83% of graduates employed has a degree in engineering



45% salaried

# 5200+ PEOPLE ACROSS EUROPE

## 4300+ Italy 900+ Poland and Czech Republic



# OVER 80%

## OF ALL COMMERCIAL AIRCRAFTS FLIES WITH OUR COMPONENTS



**30000+**

Large  
transport  
engines



**7000+**

Combat  
engines



**12000+**

Rotorcraft  
engines



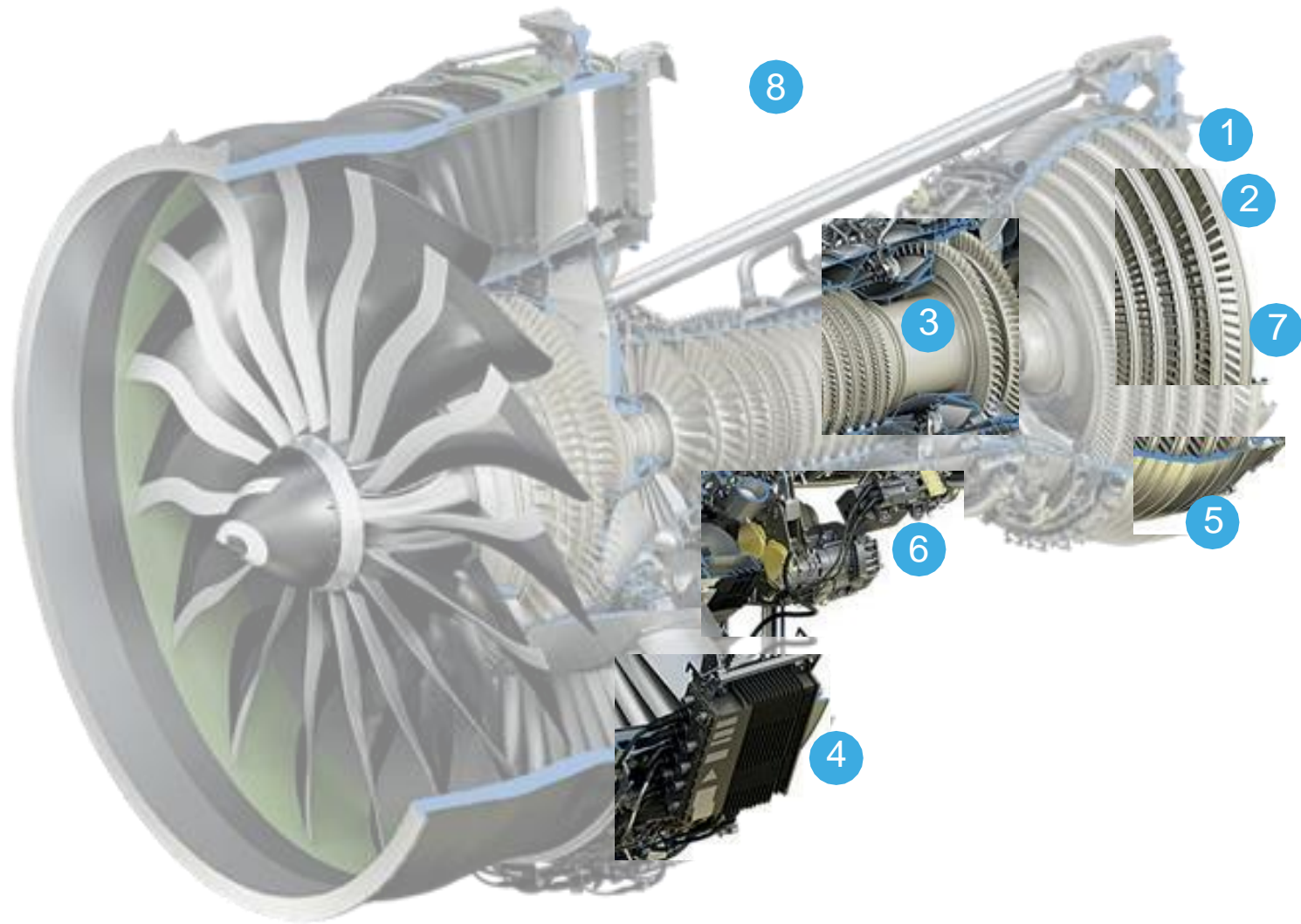
**2000+**

Marine  
engines



Revenues **\$1.4B**

**2021**



# PRODUCTS AND MANUFACTURING

## Additive manufacturing

Cameri | Brindisi | Pomigliano D'Arco (Italy)

## Airfoils

Bielsko-Biala (Poland) | Pomigliano D'Arco (Italy)

## Combustors

Pomigliano D'Arco (Italy)

## Controls

Bari (Italy)

## Frames and cases

Brindisi (Italy)

## Mechanical transmissions

Accessory Gearbox (AGB) | Power Gearbox (PGB) | Lube System

Rivalta di Torino (Italy)

## Rotating components

Rivalta di Torino (Italy)

## Services

CRO | MRO

Pomigliano D'Arco | Brindisi (Italy)

## Sand Casting

Borgaretto (Italy)

## Testing

Torino Sangone (Italy) | Prague (Czech Republic)

1

2

3

4

5

6

7

8

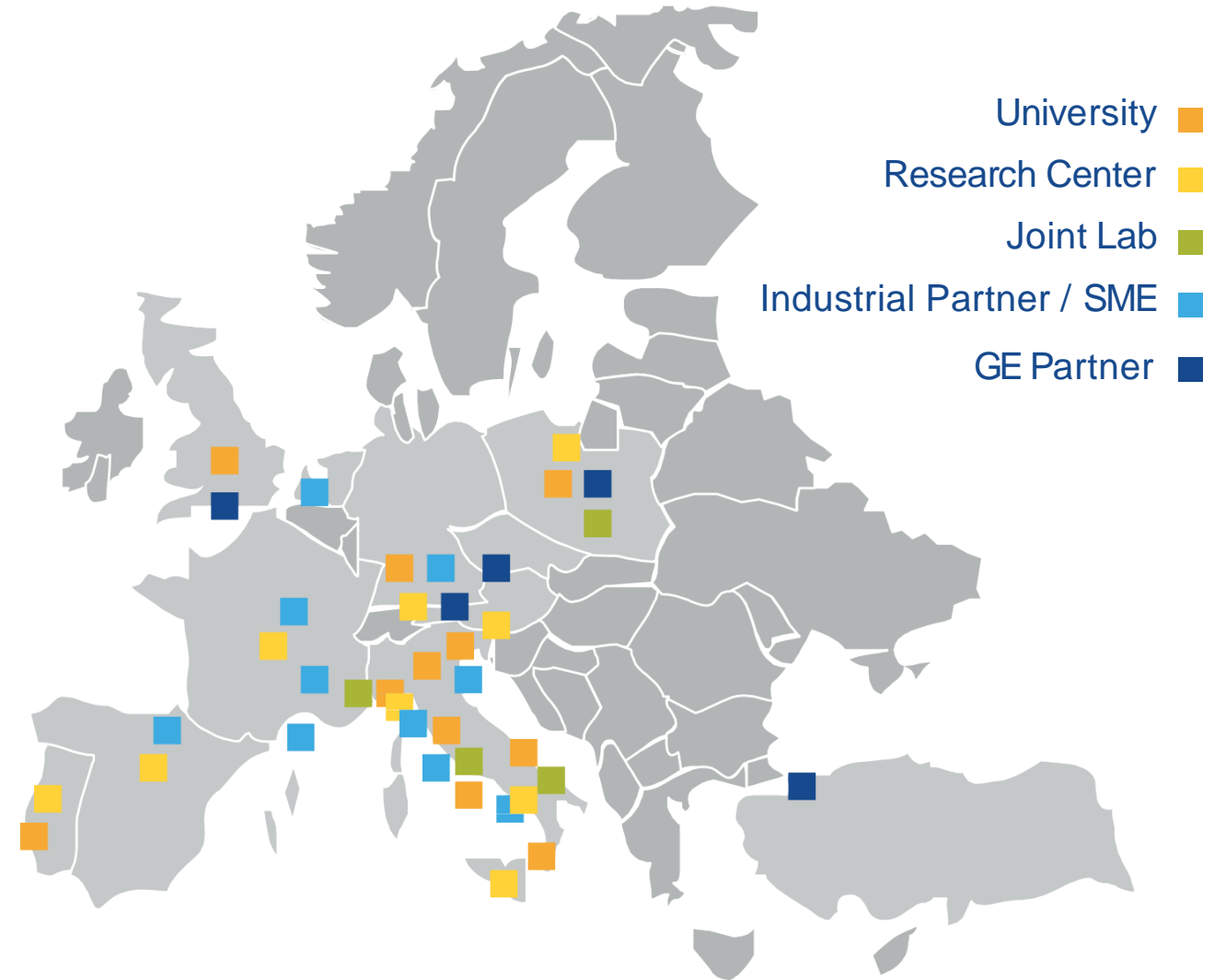
# RESEARCH AND DEVELOPMENT

Decades of collaborations with Italian and European Universities, Polytechnics and Research Centers

7 Joint Labs within the University campuses, where young talents and professionals collaborate in the development of the most innovative technologies

Small and medium-sized enterprises (SMEs) involvement in the *New Technology Introduction (NTI) Network*

New *EU Technology Development Cluster (E-TDC)*: the collaboration's network expands as it prepares for Clean Aviation's vital mission





# OUR CULTURE

## Inclusion & Diversity

A culture that welcomes differences to allow individual qualities to emerge and people to reach their full potential

### DISABILITIES ADVOCACY NETWORK (DAN)

Create an increasingly inclusive and diversified environment to allow those who have direct or indirect experience with disability to make the most of their abilities

### WOMEN NETWORK

Attract and value talented professionals, promoting their professional development

### LGBTQA+

Encourage an environment in which everyone is free to be themselves

### HEALTH AHEAD

Promote activities and initiatives in favour of the health and well being of our employees

### VOLUNTEERS

Encourage, sustain and organize activities in order to improve life quality in local communities and support non-profit organizations, developing projects about education, health and environmental protection.

Avio Aero 